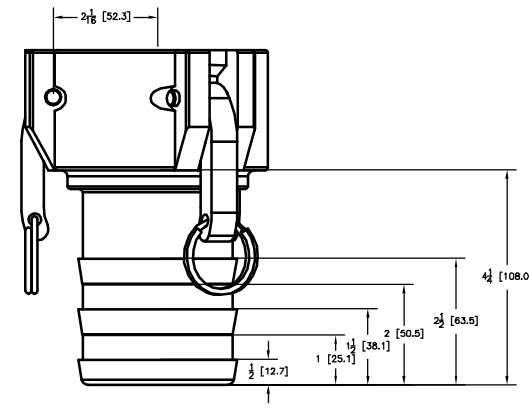
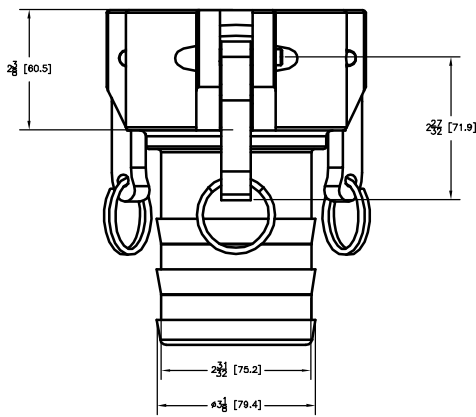


Parts List			
ITEM	QTY	NAME	DESCRIPTION
1	1	303CM	3" CAM ARM X HB
2	1	300G	GASKET
3	3	300P	PIN
4	3	300K	CAM ARM ASSY
5	1	150(200)D	DECAL (N/S)



THIS DRAWING AND ALL INFORMATION CONTAINED THEREON ARE THE EXCLUSIVE PROPERTY OF BANJO CORPORATION. UNLESS SPECIFICALLY NOTED, THIS DRAWING AND ITEMS SHOWN ON THIS DRAWING ARE SUBJECT TO CHANGE AT ANY TIME.

BANJO
LIQUID HANDLING PRODUCTS

BANJO CORPORATION
150 BANJO DR. • CRAWFORDSVILLE, IN 47833

PART NO. 303C

TITLE
3" FQDC x Hose Barb, 3 Cam Arm